

Specification

Basic parameters

Main wing length 140mm

Size: 220*233*50mm

Weight: 400g (without battery)

Remote control :2.4G 6 channel

Receiver: Integrated 6 channel

Flight control:CC3D

Lipo battery: 11.1V 1300-2200mAh 25C 3S-4S

Flight time : 10-14 mins

Working temperature :-10°C to +40°C

Overall structure: use high-strength carbon fiber materials, clean, beautiful and strong anti-drop capabilities highly integrated module.

Feature

Real-time image transmission, automatic search frequency, snowflakes screen ,Built-in OSD(the flight voltage of battery , flight time ,current channel).

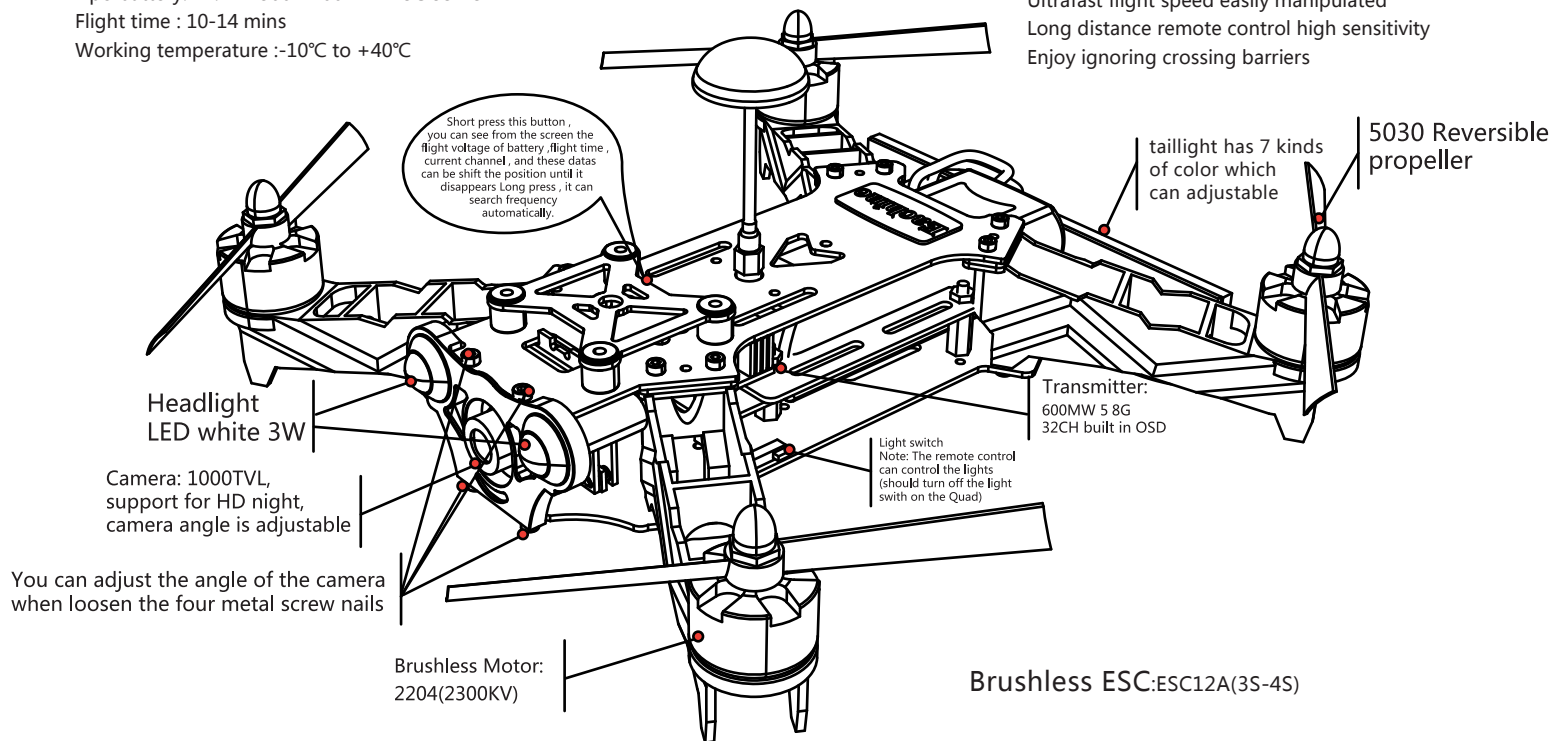
Carbon fiber, super anti-fall structure

Easy disassembly quick change propeller device

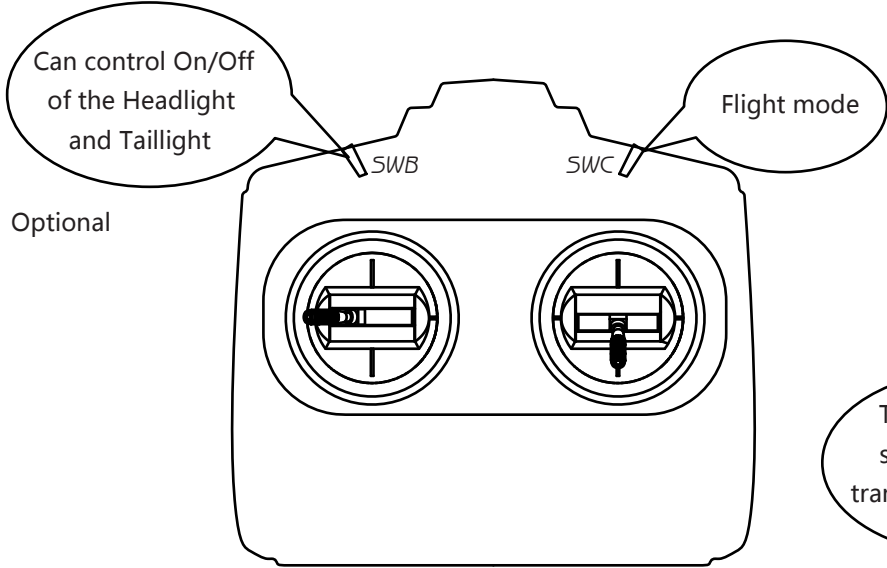
Ultrafast flight speed easily manipulated

Long distance remote control high sensitivity

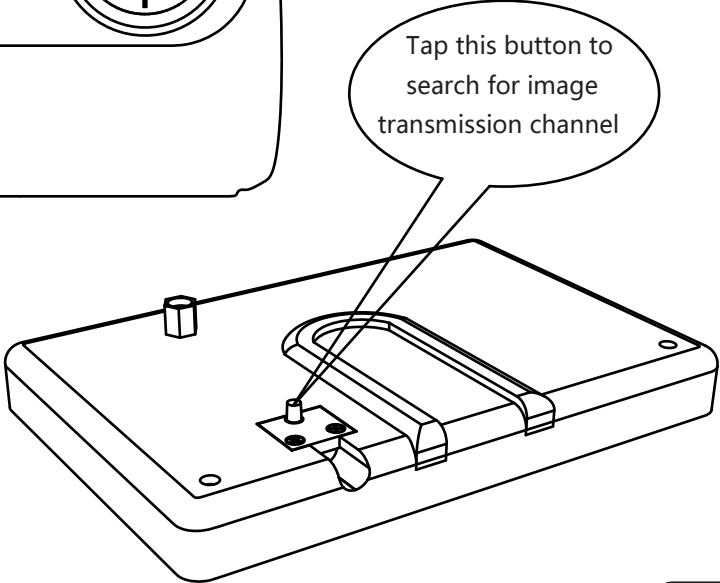
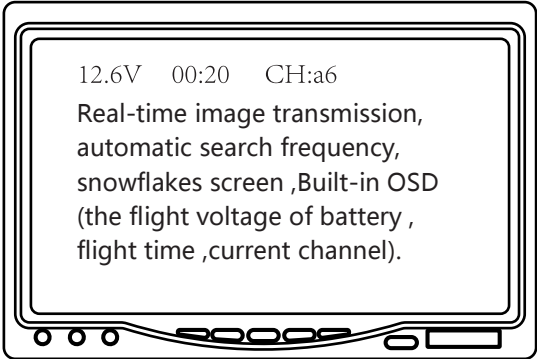
Enjoy ignoring crossing barriers

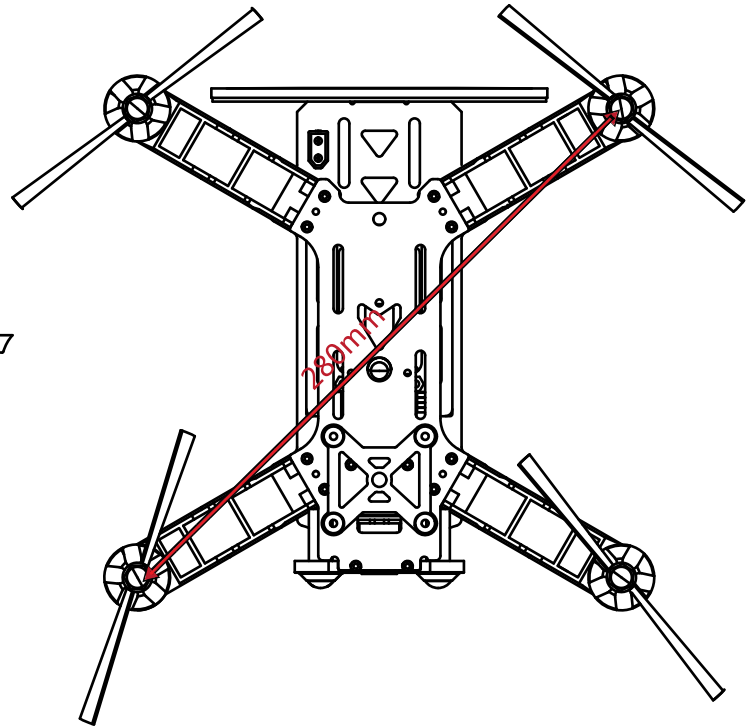
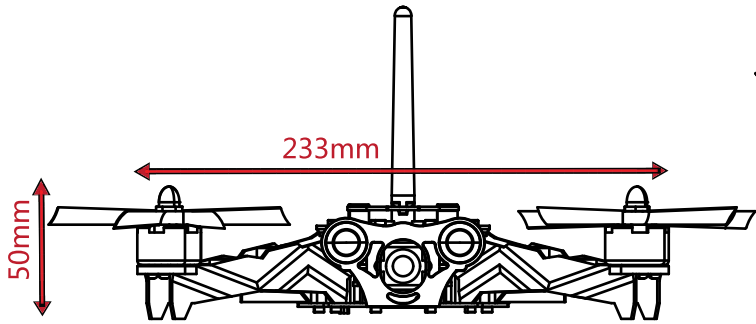


Special features



Optional

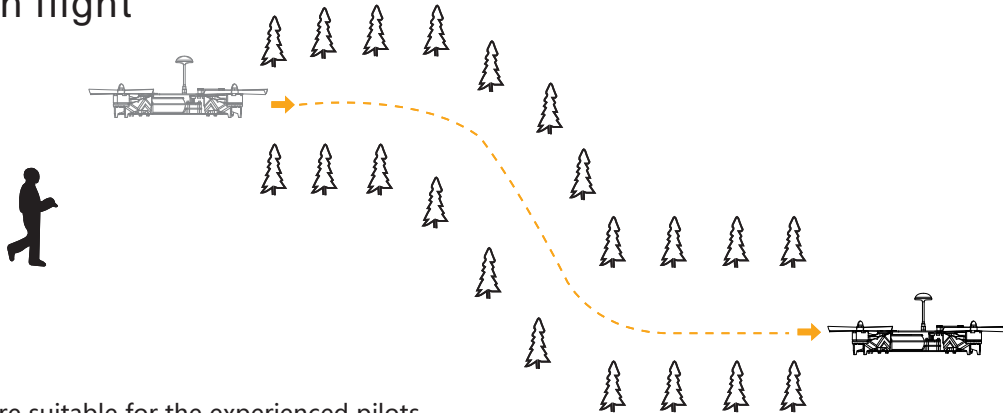




Flying Notice :

- 1 This product is suitable for the people who are not less than 14 years of age who have experience operating model,
 - 2 Do not fly under adverse weather conditions, such as strong wind, rainy, snowy ,fog weather.
 - 3 Select the open and legal space.
 - 4 When flying , please stay away from high-speed rotating component (such as a propeller ,brushless motor)
 - 5 Do not fly in areas with high-voltage lines, communication base stations or towers, etc., in order to avoid interference on the remote control.
 - 6 Do not fly in the no-fly area .
-

Through flight



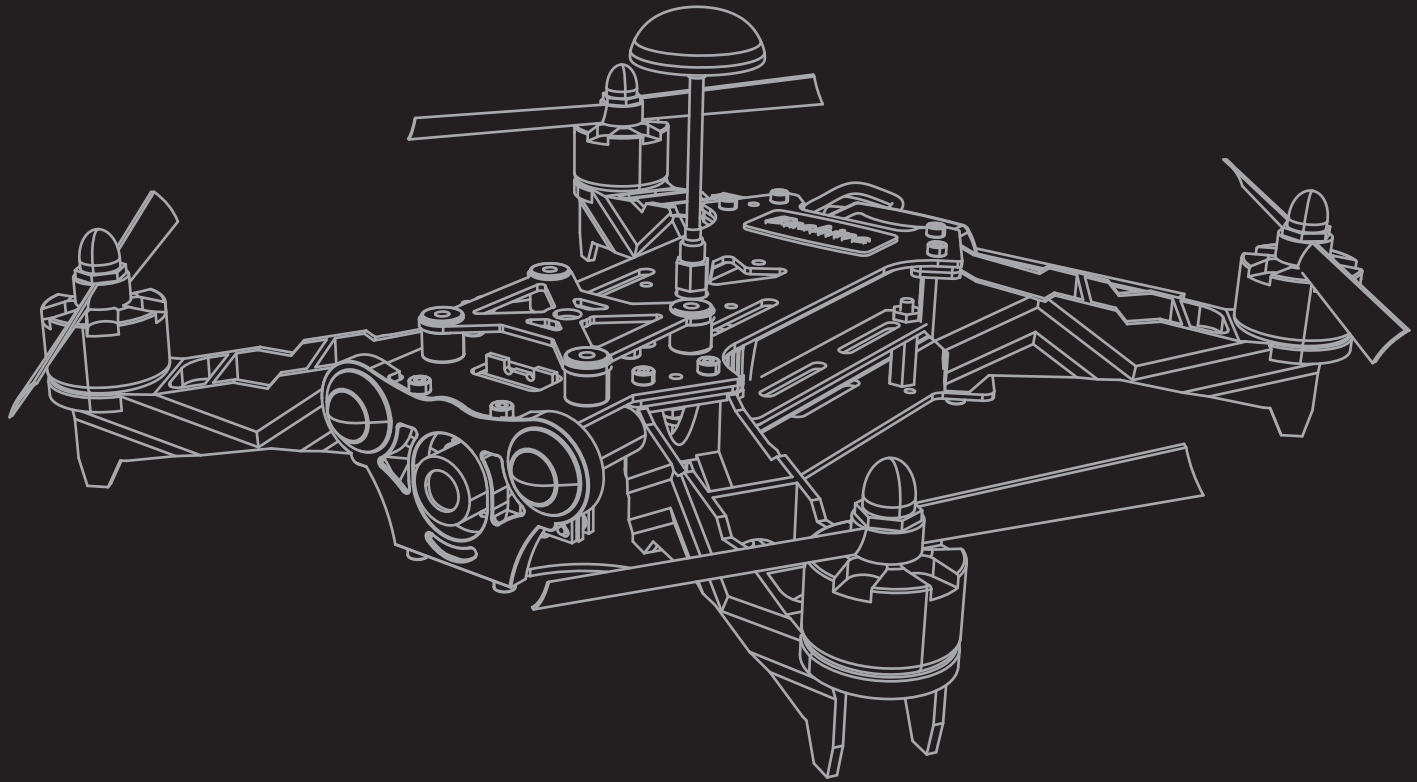
Cautions

- 1 This is more suitable for the experienced pilots .
- 2 When flying, Please keep in sight 50 meters or video reception range within 300 meters to control the flight (actual range depends on the flight environment and weather conditions)
- 3 When flying , please avoid the crowd ,animals and high-voltage wires and other obstructions.

Eachine Racer 250



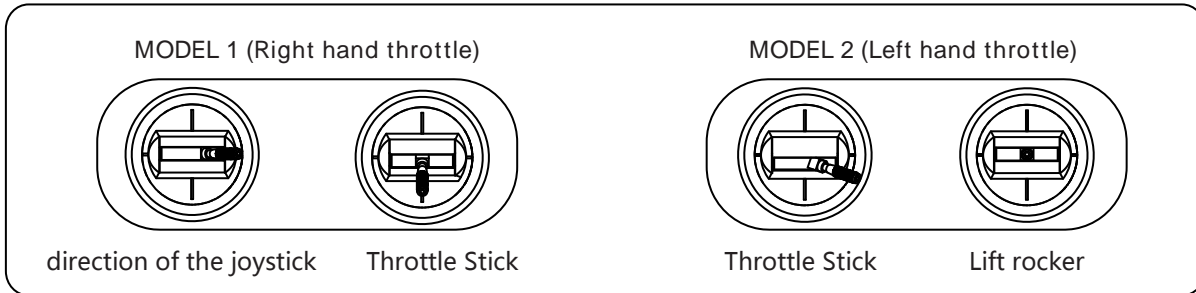
INSTRUCTION MANUAL



Motor unlocked /locked

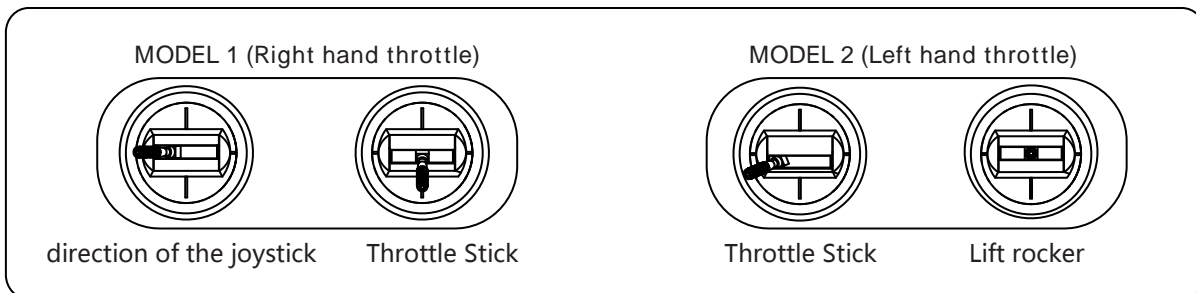
Motor unlocked

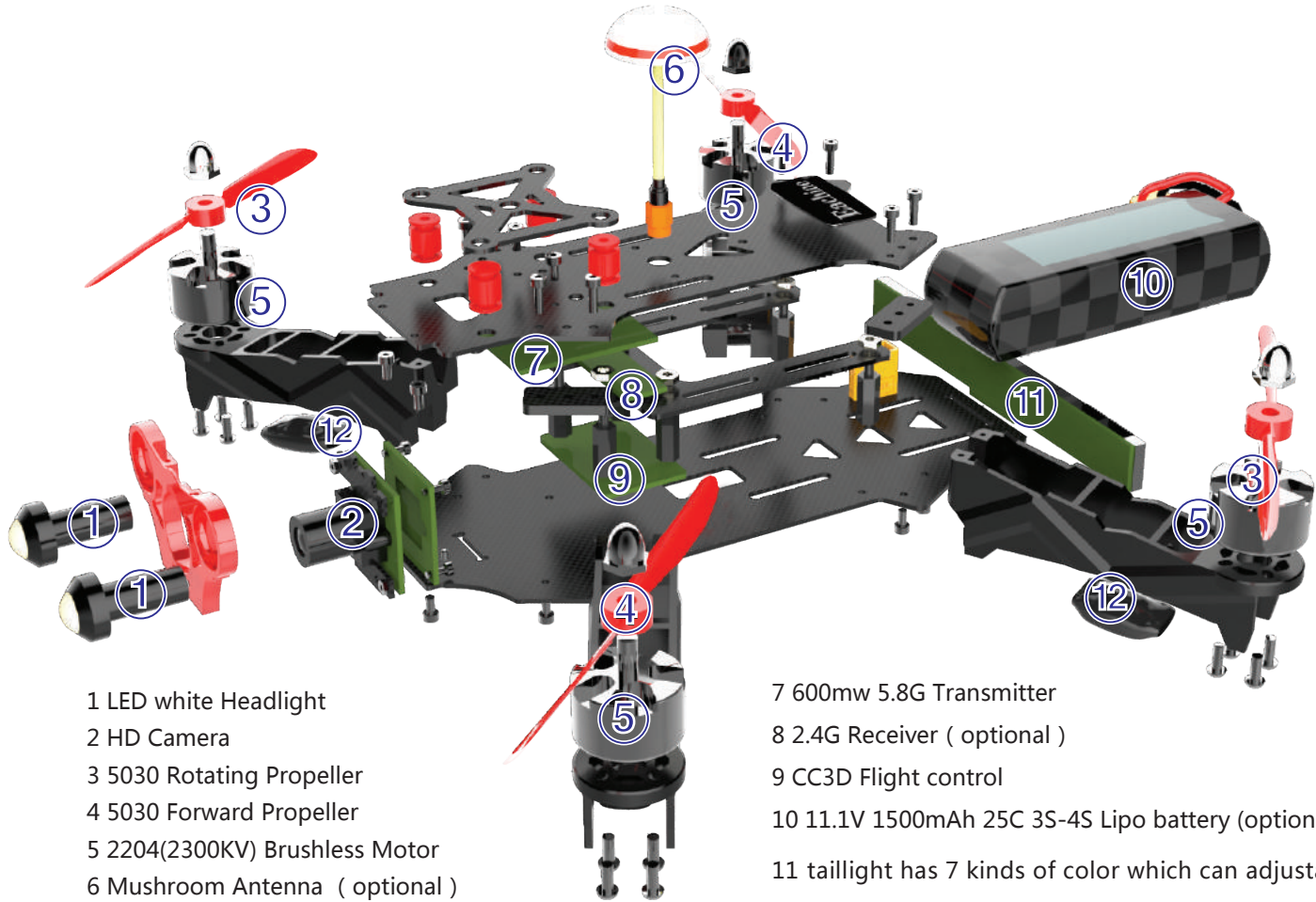
Put the throttle stick to the lowest point, turn the direction of the joystick to the right --the motor is unlocked .



Motor Locked

Put the throttle stick to the lowest point, turn the direction of the joystick to the left --the motor is locked .





- 1 LED white Headlight
- 2 HD Camera
- 3 5030 Rotating Propeller
- 4 5030 Forward Propeller
- 5 2204(2300KV) Brushless Motor
- 6 Mushroom Antenna (optional)

- 7 600mw 5.8G Transmitter
- 8 2.4G Receiver (optional)
- 9 CC3D Flight control
- 10 11.1V 1500mAh 25C 3S-4S Lipo battery (optional)
- 11 taillight has 7 kinds of color which can adjustable
- 12 Brushless ESC 12 V

Aircraft Sets



